

Drawing



Hendi B.V.
Steenoven 21
3911 TX Rhenen
The Netherlands

Batch #
Batch nr 400209
and up

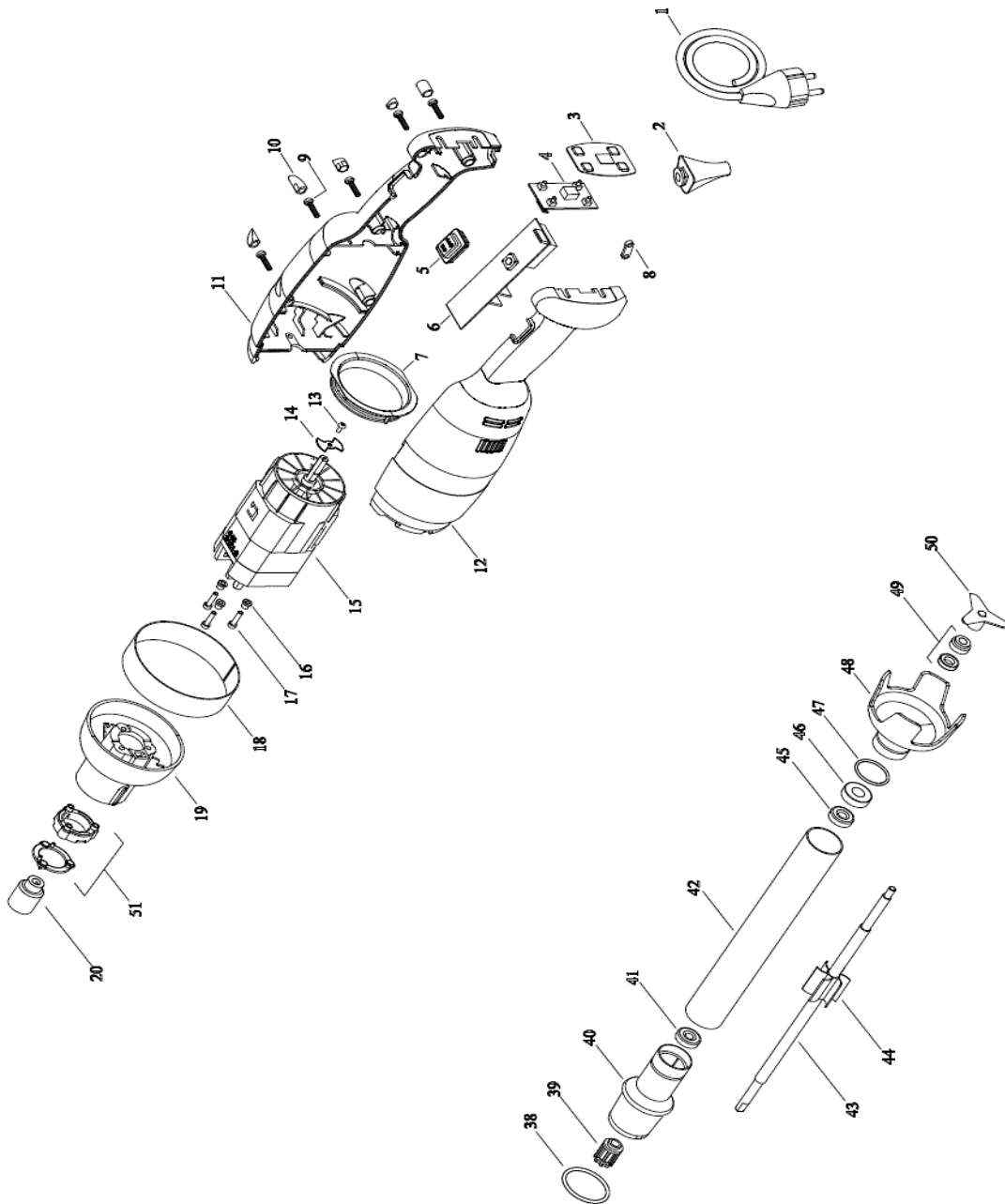
Appliance part#

224359


Description

Stick Blender Hendi 500

Date	20-05-2016	Revision #	Revision version
Revision	First bill of materials (BOM)		



Bill of materials (BOM)

 Hendi B.V. Steenoven 21 3911 TX Rhenen The Netherlands	Batch #	Appliance part#
	Batch nr 400209 and up	224359
	Description	
	Stick Blender Hendi 500	


Date	20-05-2016	Revision #	Revision version
Revision	First bill of materials (BOM)		

Item	Description	Part#	Quantity	Remark	Picture
1	Powercord	929445	1		
2	Grommet	929452	1		
3	Display sticker	929469	1		
4	Display pcb	934111	1		
5	Cover switch	929483	1		
6	Main pcb	940266	1		
7	Bracket	n/a	1		
8	Powercord retention	n/a	1		
9	Screw	n/a	5		
10	Plug housing	929506	5	(set of 4 pcs)	
11	Housing righthside	n/a	1		
12	Housing leftside	n/a	1		
13	Screw M3x8	n/a	1		
14	Propeller	n/a	1		
15	Motor 400W	940273	1		
16	Damping rubber	n/a	3		
17	Screw M4x16	n/a	3		
18	Sticker	940280	1		
19	Cap	n/a	1		
20	Coupler (female)	929537	1		
38	O-Ring	929544	1	Also in 935415	
39	Coupler (male)	929551	1	Also in 935415	
40	Conical plug	nss	1	Available as 935415	
41	Bearing (608)	nss	1	Available as 935415	
42	Complete stick Hendi 500	935415	1	Incl item 38,39,40,41,42,43,44,45,46,47,48,49,50	
43	Drive axle 10mm L=500mm	nss	1	Available as 935415	
44	Damping rubber	nss	1	Available as 935415	
45	Bearing	nss	1	Available as 935415	
46	Grommet	nss	1	Available as 935415	
47	Ring	nss	1	Available as 935415	
48	Cap stick	nss	1	Available as 935415	
49	Oil seal	929568	1	Also in 935415	
50	Knife	929575	1	Also in 935415	
51	Ring insulator	n/a	1		

n/a -> not available

nss -> not sold separately

Circuit diagram

 Hendi B.V. Steenoven 21 3911 TX Rhenen The Netherlands	Batch #	Appliance part#
	Batch nr 400209 and up	224359
	Description	
	Stick Blender Hendi 500	

Date	20-05-2016	Revision #	Revision version
Revision	First bill of materials (BOM)		

Not Available.